

SL30W

The SL30W offers auto-lubrication in the bucket and arm joints.

- ▶ Engine model: Xichai CA6DF1D-12GAG2
- ▶ Rated power: 92 kW/2200 rpm
- ▶ Operating weight: 10.5 t

Product features

Another small offering in wheel loaders, the SL30W still offers mid-range performance for its size. It has auto-lubrication in the bucket and arm joints, and comes with a choice of three engines: Xichai, Weichai Deutz and Dongfeng Cummins. The sealed glass cabin offers a wide field of vision and a shock absorbing seat for greater driver comfort and safety.



SHANTUI

VALUE THAT WORKS

Shantui Construction Machinery Co., Ltd.

ADDRESS:

No. 58, G327 Highway
Jining City, Shandong, CHINA

TEL: +86-537-2909369

FAX: +86-537-2311219

EMAIL: trade@shantui.com

SL30W

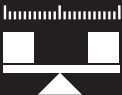
Technical specifications:


Overall length: 7043 mm


Overall width: 2484 mm


Overall height: 3235 mm


SL30W

 GENERAL SPECIFICATIONS	Operating weight	10500 kg
	Related loading	3000 kg
	Bucket capacity	1.7 m ³
	Maximum lifting force	96 kN
	Static tipping load (full turn)	6000 kg
	Dumping height (Extended/Long)	2875 (3057/3200) mm
	Dumping reach (Extended/Long)	955 (906/886) mm

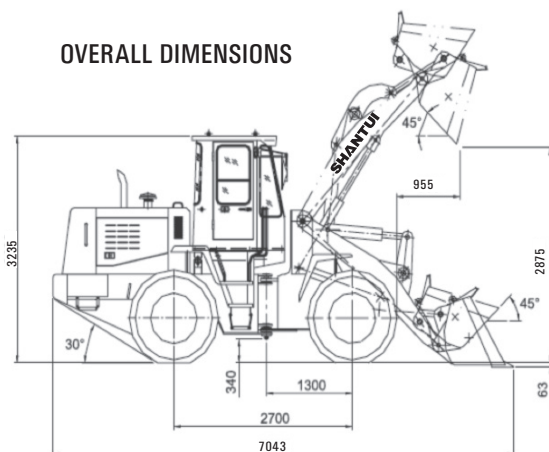
 ENGINE	Engine model	Xichai CA6DF1D-12GAG2/Weichai WP6G125E22/Cummins 6BT5.9-C130
	Type	In-line, water-cooled, 4-cylinder, direct injection, turbocharged
	Rated power	92/92/97 kW
	Rated speed	2200 rpm
	Displacement	6.557/6.75/5.9 L
	Maximum torque	520/500/560 N·m
	Minimum fuel consumption	220/215/- g/kW·h

 TRAVEL SPEED	Gear	1st	2nd	3rd	4th
	Forward	0~5.8 km/h	0~10.8 km/h	0~18.4 km/h	0~35.0 km/h
	Reverse	0~7.8 km/h	0~27.0 km/h	-	-

 AXLES AND FINAL DRIVES	DRIVE SYSTEM		Four-wheel drive	
	Gradeability		30°	
	Maximum traction		95 kN	
	BRAKE SYSTEM:	Service brakes	Air over oil four-wheel dual-loop disc brake system	
		Parking brake	Automatically air-cut brake, disc brake	
	STEERING SYSTEM:	Type	Articulated type, full-hydraulic power steering	
		Maximum steering angle	36° each direction	
		The center of outside tire	5300 mm	
	TIRES	The center of outside bucket	6004 mm	
		Type	17.5-25 PR	
		Pattern level	L3	
		Center distance of tires	1856 mm	
Wheel base	2700 mm			

 HYDRAULIC SYSTEM	Hydraulic cycle time (rated load in bucket)	Lifting time/ Lifting, dumping and lowering	5.5/9.7 s

OVERALL DIMENSIONS



▶ THE SPECIFICATIONS ARE SUBJECT TO CHANGE WITHOUT NOTICE. THE PICTURES MAY INCLUDE OPTIONS. THE ACTUAL COLOR & APPEARANCE OF THE PRODUCT MAY DIFFER FROM WHAT IS SHOWN.

